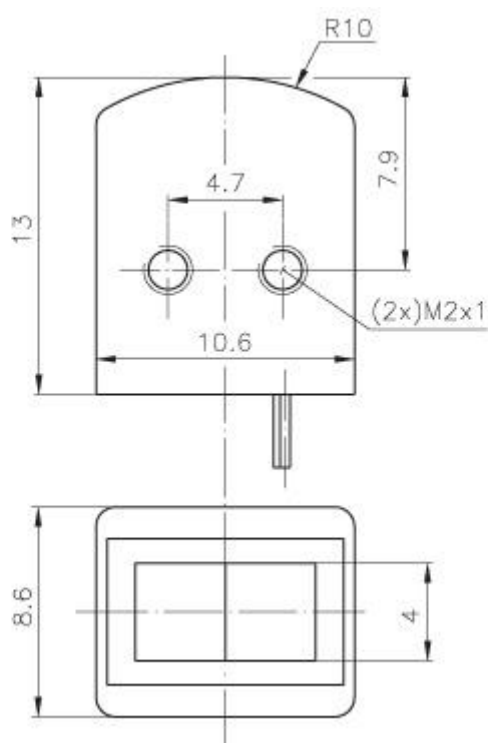


Magnetic Heads 1R 062

Mágnesejek Magnetköpfe

Type / Típus / Typ: 1R 062



Function		Reading
Inductance (1 kHz)	mH	610±20%
D.C. resistance	Ω	680±10%
Insulation resistance (500 V)	MΩ	min.:10
Reading speed	mm/s	190
Reading voltage (1kHz) (p-p)	mV	5,3