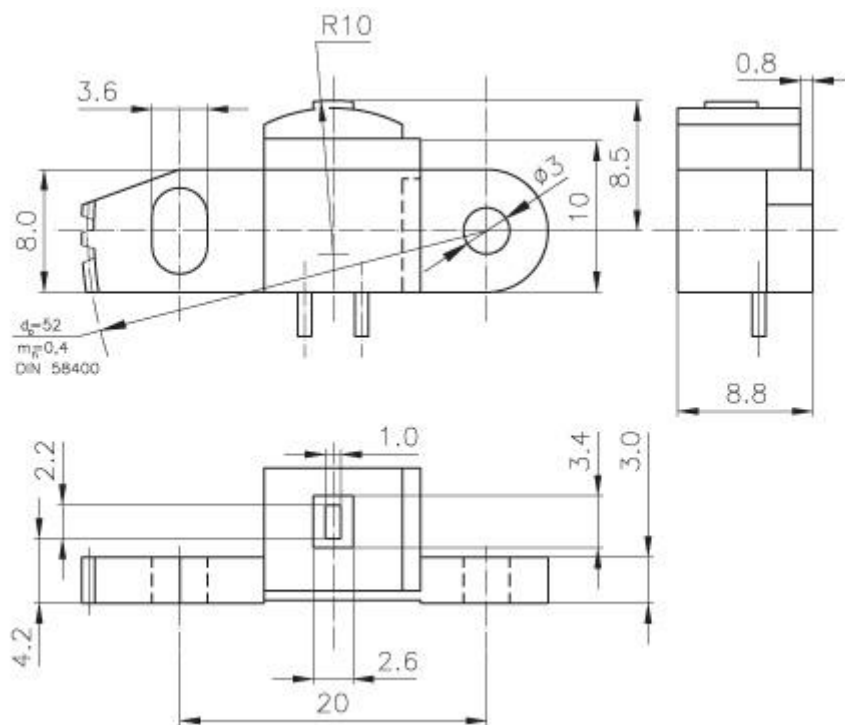


# Magnetic Heads 7004

## Mágnesejek Magnetköpfe

Type / Típus / Typ: 7004



Function		Impulse counting
Inductance ( 1 kHz )	mH	850±20%
Impedance ( 1 kHz, I = 0,1-1 mA )	kΩ	6-8
Frequencytransfer	Hz	175-3500
Electric strength ( 250 V DC )	MΩ	min.:50
Pole material		Permalloy