

Ferrites, Powder Cores

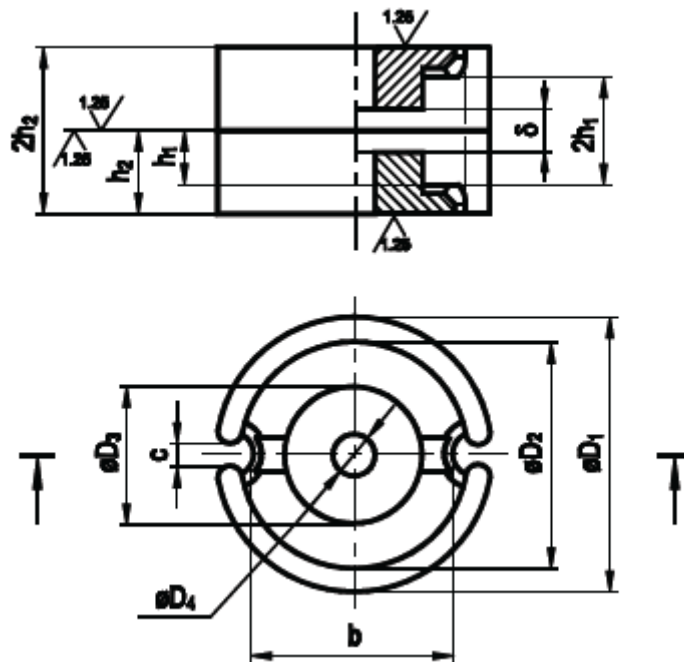
Ferrites

FAZÉKMAGOK Két-kivezetéses méretség

SCHALENKERNE Zweischlitz-Bauform

POT CORES Two-slot series

Rendelési szám Bestellnummer Ordering code: TI 1012 -XXXX -XX -X



MÉRETEK | ABMESSUNGEN | DIMENSIONS

| Tipus Typ Type | $\varnothing D_1$ | $\varnothing D_2$ | $\varnothing D_3$ | $\varnothing D_4$ | h_1 | h_2 | b | c | |
|-------------------|----------------------------|-------------------|-------------------|-------------------|--------------|---------------|----------------|---------------|---------------|
| -XXXX | [mm] | | | | | | | | |
| -3010 | $\varnothing 11 \times 7$ | $11,3_{-0,4}$ | $9,0^{+0,4}$ | $4,7_{-0,2}$ | $2,0^{+0,1}$ | $2,2^{+0,15}$ | $3,3_{-0,15}$ | $7,7_{-0,5}$ | $2,2 \pm 0,3$ |
| -3020 | $\varnothing 14 \times 8$ | $14,2_{-0,4}$ | $11,6^{+0,3}$ | $6,0_{-0,2}$ | $3,0^{+0,2}$ | $2,8^{+0,2}$ | $4,25_{-0,15}$ | $9,8_{-0,5}$ | $2,7 \pm 0,2$ |
| -3030 | $\varnothing 18 \times 11$ | $18,2_{-0,6}$ | $15,0^{+0,35}$ | $7,6_{-0,25}$ | $3,0^{+0,2}$ | $3,65^{+0,2}$ | $5,35_{-0,15}$ | $13,1_{-0,5}$ | $3,2 \pm 0,6$ |
| -3040 | $\varnothing 22 \times 13$ | $22,0_{-0,8}$ | $17,9^{+0,6}$ | $9,4_{-0,3}$ | $4,4^{+0,2}$ | $4,6^{+0,2}$ | $6,8_{-0,2}$ | $15,6_{-0,6}$ | $3,6 \pm 0,3$ |
| -3050 | $\varnothing 26 \times 16$ | $26,0_{-1,0}$ | $21,2^{+0,8}$ | $11,5_{-0,4}$ | $5,4^{+0,2}$ | $5,5^{+0,2}$ | $8,15_{-0,2}$ | $18,4_{-0,7}$ | $3,8 \pm 0,6$ |

| | | | | | | | | | |
|-------|--------|----------------------|----------------------|----------------------|---------------------|---------------------|----------------------|----------------------|---------------------|
| -3060 | Ø30×19 | 30,5 _{-1,0} | 25,0 ^{+0,8} | 13,5 _{-0,5} | 5,4 ^{+0,2} | 6,5 ^{+0,2} | 9,5 _{-0,2} | 21,4 _{-0,9} | 4,2±0,6 |
| -3070 | Ø36×22 | 36,0 _{-1,0} | 29,9 ^{+0,8} | 16,2 _{-0,4} | 5,4 ^{+0,2} | 7,3 ^{+0,2} | 10,8 _{-0,2} | 26,0 _{-1,0} | 4,6±0,6 |
| -3080 | Ø41×25 | 41,0 _{-1,1} | 34,0 ^{+0,9} | 17,5 _{-0,5} | 5,5 ^{+0,2} | 8,5 ^{+0,3} | 12,5 _{-0,3} | 30,0 _{-1,5} | 6,0 ^{+1,0} |

Effektív paraméterek (pár)
Magnetische Formkenngrößen (satz)
Effective Core Parameters (per set)

| Tipus Typ Type | C ₁ | l _e | A _e | A _{min} | V _e | Súly Gewicht Weight |
|-------------------|------------------|----------------|-----------------|------------------|-----------------|---------------------------|
| -XXXX | mm ⁻¹ | mm | mm ² | mm ² | mm ³ | ≈ g/satz |
| -3010 | 1,0000 | 15,9 | 15,9 | - | 252 | 1,7 |
| -3020 | 0,8000 | 20,0 | 25,0 | 20,0 | 500 | 3,2 |
| -3030 | 0,5909 | 26,0 | 44,0 | - | 1140 | 6,0 |
| -3040 | 0,4970 | 31,5 | 63,0 | - | 1980 | 13,0 |
| -3050 | 0,3989 | 37,5 | 94,0 | - | 3525 | 21,0 |
| -3060 | 0,3308 | 45,0 | 136,0 | 112,0 | 6100 | 36,0 |
| -3070 | 0,2636 | 53,0 | 201,0 | 173,0 | 10650 | 57,0 |
| -3080 | 0,2566 | 62,1 | 242,0 | 209,0 | 15000 | 90,0 |

Légrésnélküli fazékmagok A_L-értékei
A_L-Werte der Schalenkerne ohne Luftspalt
A_L-values of pot cores without air gap

| -XX | Anyag Werkstoff Material | Tipus Typ Type | A _L ⁺³⁰ _{-20%} [nH] | μ _e |
|-----|--------------------------------|-------------------|--|----------------|
| -22 | M2F | ø11×7 | 1600 | 1273 |
| -23 | M2F-A | | | |
| -24 | M2F-B | | | |
| -22 | M2F | ø14×8 | 2100 | 1337 |
| -23 | M2F-A | | | |
| -24 | M2F-B | | | |
| -22 | M2F | ø18×11 | 2800 | 1316 |
| -23 | M2F-A | | | |
| -24 | M2F-B | | | |
| -22 | M2F | ø22×13 | 3800 | 1502 |
| -23 | M2F-A | | | |
| -24 | M2F-B | | | |
| -22 | M2F | ø26×16 | 4900 | 1554 |
| -23 | M2F-A | | | |

| | | | | |
|-----|-------|--------|------|------|
| -24 | M2F-B | | | |
| -22 | M2F | | | |
| -23 | M2F-A | | | |
| -24 | M2F-B | ø30×19 | 6200 | 1632 |
| -22 | M2F | | | |
| -23 | M2F-A | | | |
| -24 | M2F-B | ø36×22 | 7600 | 1594 |
| -22 | M2F | | | |
| -23 | M2F-A | | | |
| -24 | M2F-B | ø41×25 | 8400 | 1715 |

**Légréses magok is beszerezhetők, kérjük rendeléskor az adatokat közölni.
 Beschaffbar sind auch Schalenkerne, mit Luftspalt, bei Bestellung bitten wir die Werte angeben.
 Gapped core is available, please specify when ordering.**

| -X | Kivitel | Ausführung | Construction |
|----|---------------|----------------|-----------------|
| -0 | légrés nélkül | ohne Luftspalt | without air gap |
| -1 | légréses | mit Luftspalt | with air gap |